

AWA PA1003 AMPLIFIER

S.N. AL7516

D

C

B

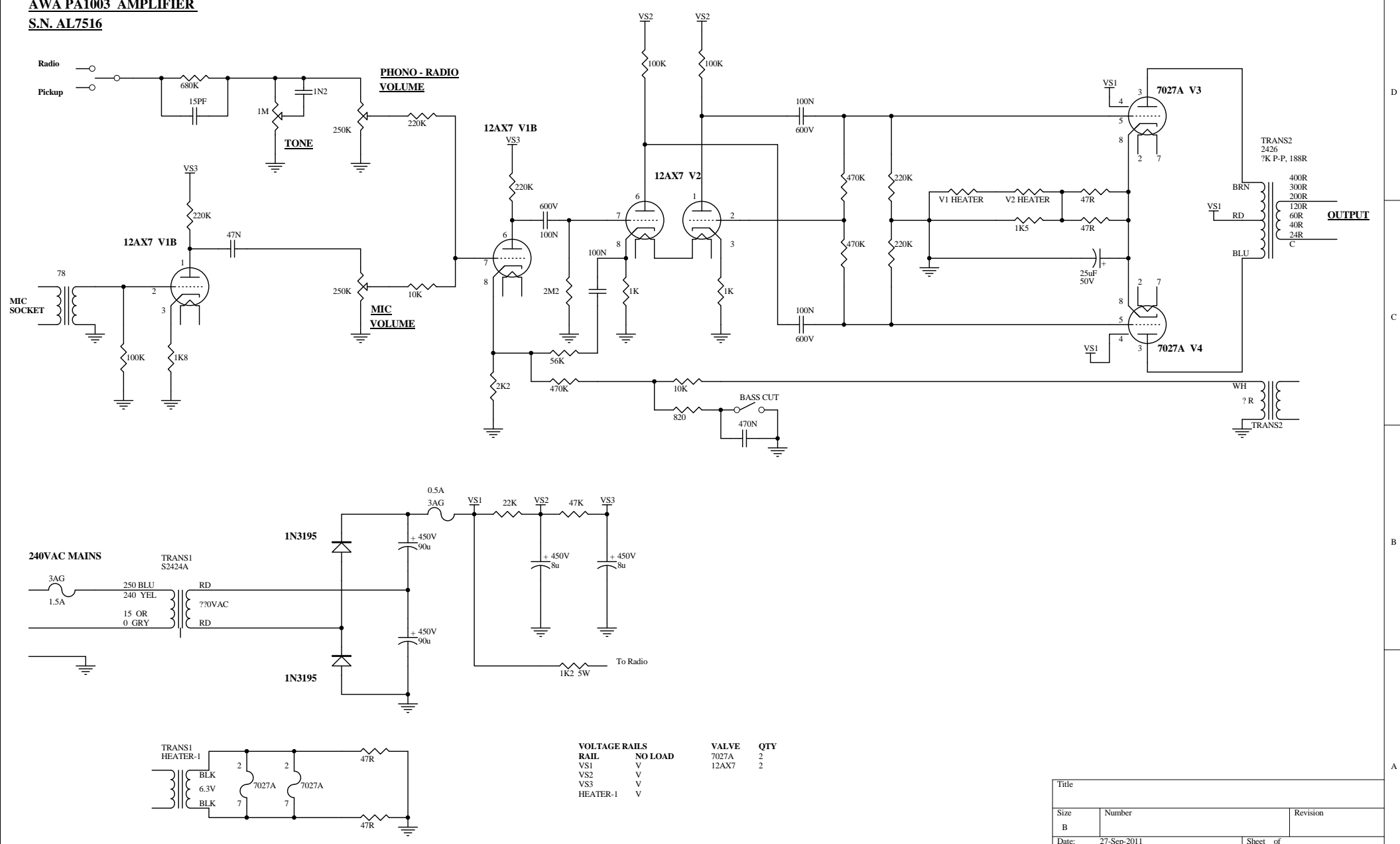
A

D

C

B

A



VOLTAGE RAILS		VALVE	QTY
RAIL	NO LOAD	7027A	2
VS1	V	12AX7	2
VS2	V		
VS3	V		
HEATER-1	V		

Title		
Size	Number	Revision
B		
Date:	27-Sep-2011	Sheet of
File:	\\tsclient(C:\Program Files\Design Explorer\906181\Projects\Amplifier Modules.ddb	